

## MOUNTING PROCEDURE

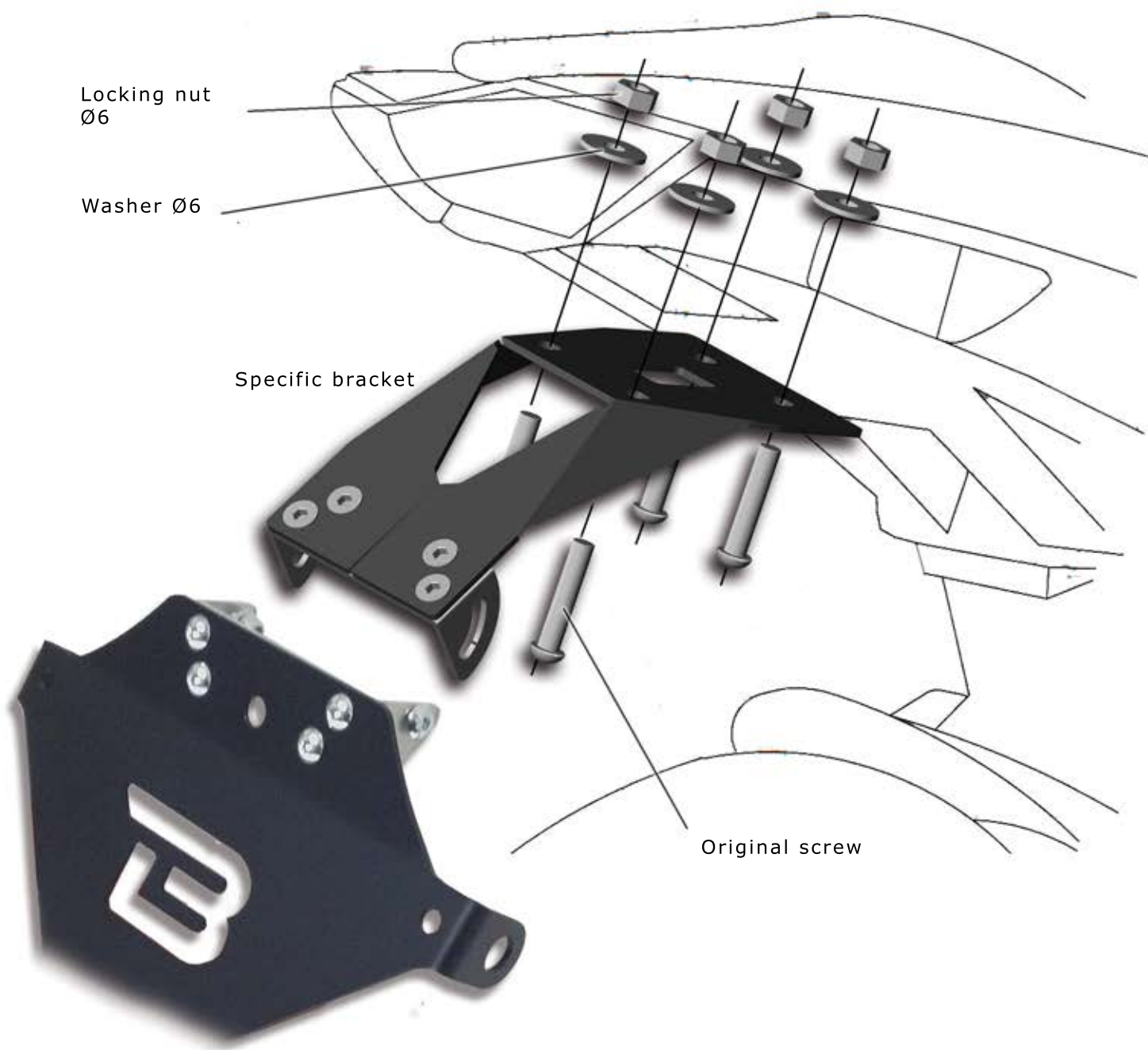
KIT LICENCE PLATE  
KAWASAKI Z 1000 '10 - '13

**KN1104-10**

[WWW.BARRACUDAMOTO.COM](http://WWW.BARRACUDAMOTO.COM)

## KIT

X1. SPECIFIC BRACKET  
X4. WASHER DIAMETER 6  
X4. LOCKING NUTS Ø 6  
X1. BARRACUDA LICENCE PLATE



REMOVE THE ORIGINAL LICENCE PLATE. APPLY THE BARRACUDA SPECIFIC BRACKET WITH THE SCREWS LIKE SHOWN IN THE PICTURE. USE THE WASHERS WITH THE LOCKING DIAMETER 6 NUTS INSIDE.

WE ADVISE AN INCLINATION NOT EXCEEDING TO 30° TO AVOID SANCTIONS AND POSSIBLE DAMAGES.