

ASSEMBLING INSTRUCTION

HIGHLIGHT BRACKET

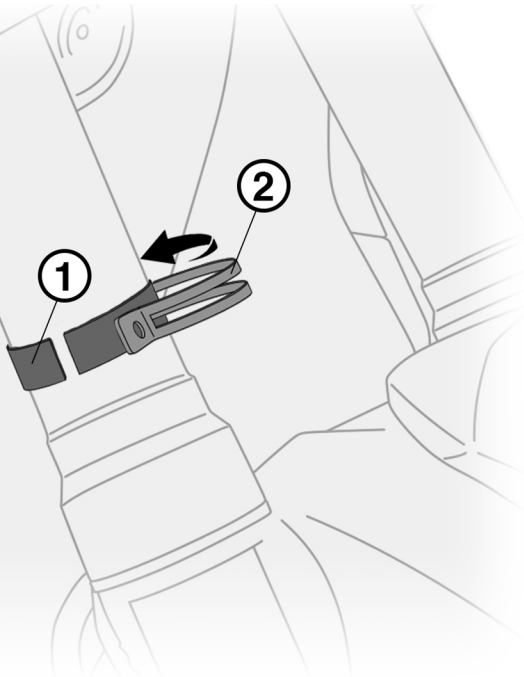
N9003-48-51

WWW.BARRACUDAMOTO.COM

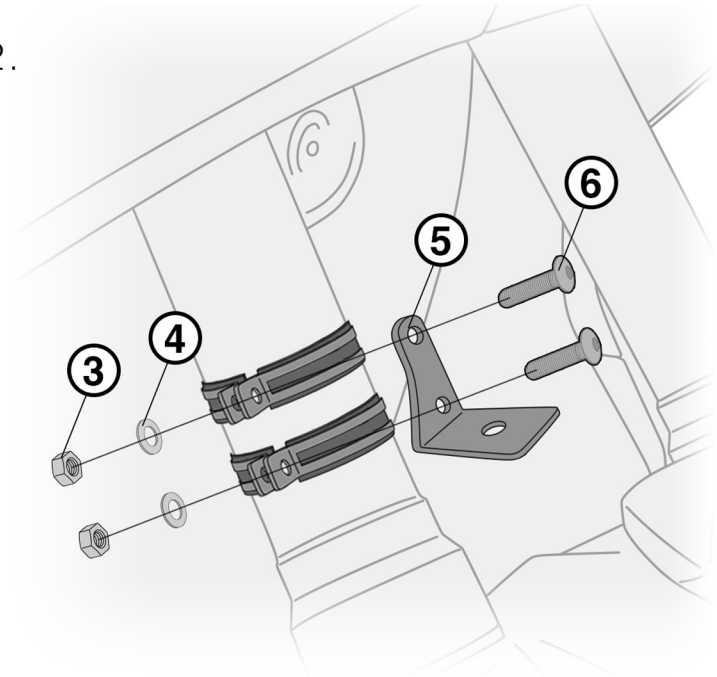
LEGEND

- | | |
|--|--|
| 1. RUBBER STRIP 150MM X 15MM
STRISCIA GOMMA 150MM X 15MM
TIRA DE GOMA 150MM X 15MM
GUMMISTREIFEN 150MM X 15MM
BANDE DE CAOUTCHOUC 150MM X 15MM | 4. WASHER Ø 6
RONDELLA Ø 6
ARANDELA Ø 6
SCHEIBE Ø 6
RONDELLE Ø 6 |
| 2. RING
ANELLO
ANILLO
RING
ANNEAU | 5. EXTRALIGHT BRACKET
STAFFA FARETTO
SOPORTE EXTRALIGHT
SCHEINWERFER HALTERUNG
SUPPORT EXTRALIGHT |
| 3. SELF-LOCKING NUT Ø 6
DADO AUTOBLOCCANTE Ø 6
TUERCA AUTOBLOCANTE Ø 6
SELBSTSICHERNDE MUTTER Ø 6
ÉCROU AUTOBLOQUANT Ø 6 | 6. ALLEN SCREW M6X20
VITE A BRUGOLA M6X20
TORNILLO ALLEN M6X20
INBUSSCHRAUBE M6X20
VIS ALLEN M6X20 |

1.

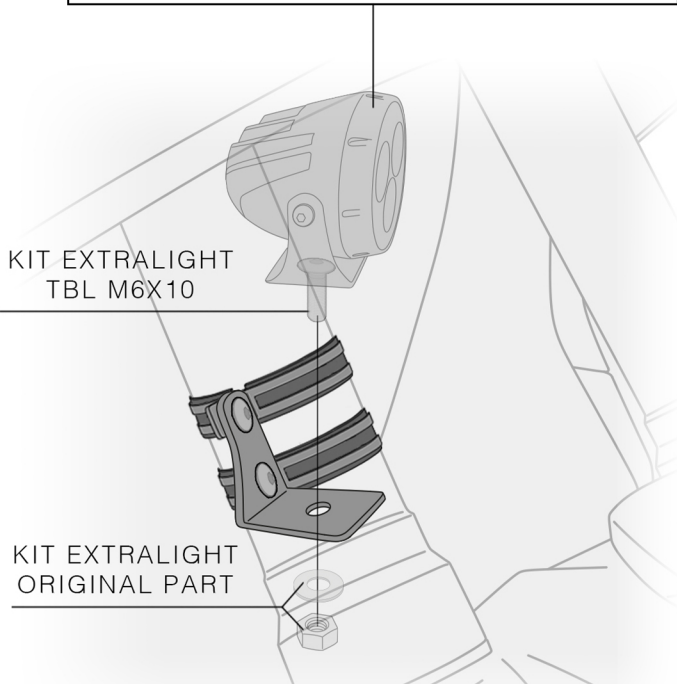


2.

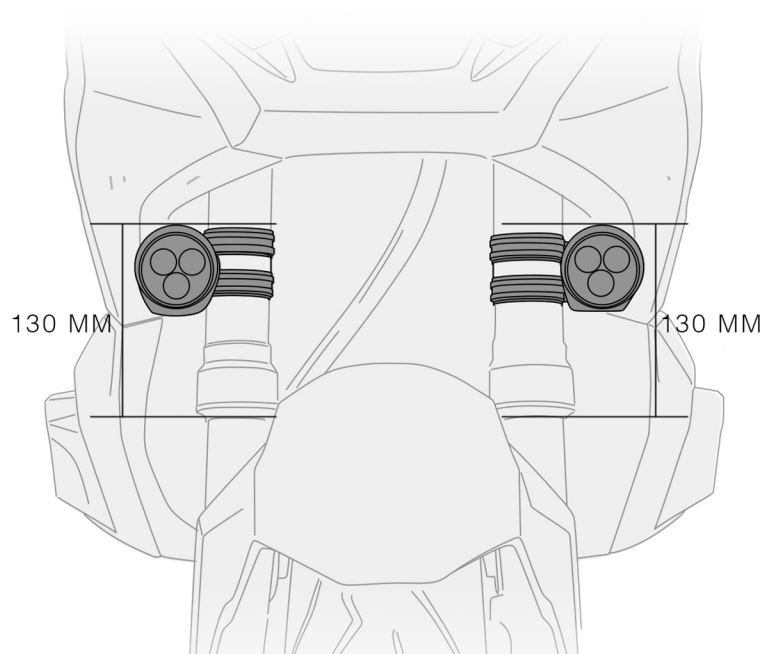


3.

 KIT EXTRALIGHT NOT INCLUDED



POSITION



CHECK THAT THE EXTRALIGHT DO NOT IMPACT ON THE FAIRING AFTER INSTALLATION